



TUTORIAL



TITLE

WOOL VEST

FROM THE FEATURE

Spring Fashion - from 10 to 20°C

SISTERMAG

N°18

SIZE 36/38

MATERIALS

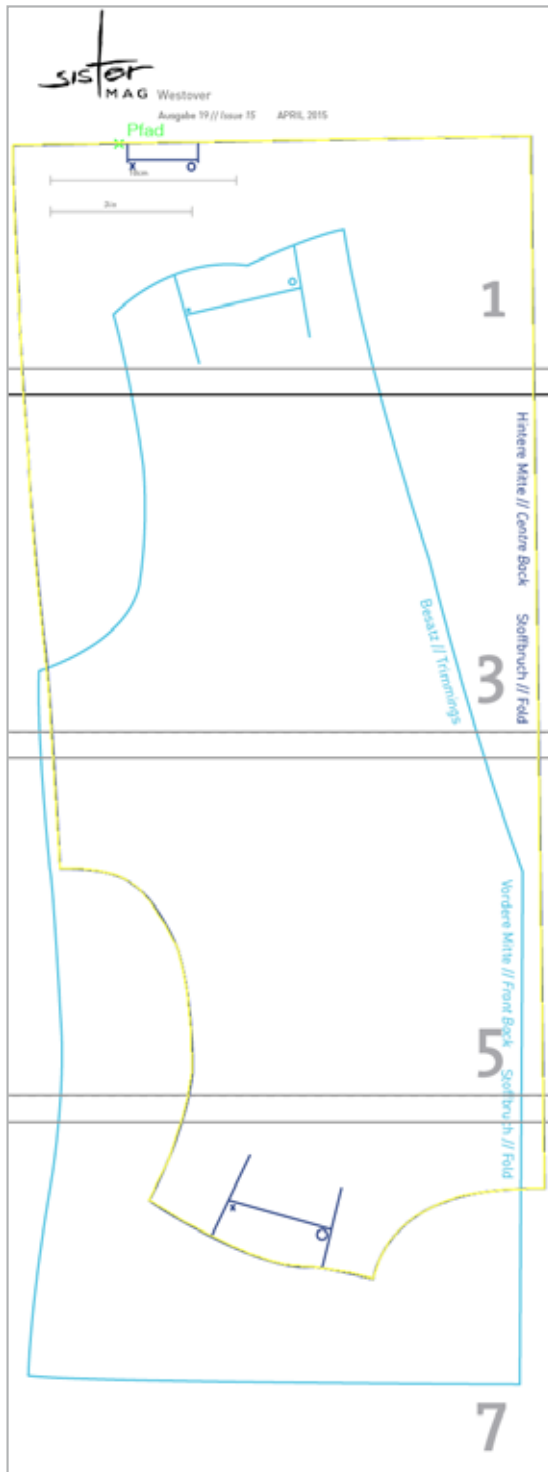
- » 0,7 m wool
- » bias binding from cotton

HOW-TO

1. Close side and shoulder seams
2. Drape the folds on the shoulders according to the pattern, baste and sew
3. Trim the edges of the armhole and neckline with the bias binding, hand sew on the inside
4. Drape pleats along the lower edge on the back and sew
5. Trim the hem by hand
6. Attach brooch (eg <http://ebay.eu/1G2C80s> or <http://ebay.eu/1DHix7l>)
7. Alternatively you can make your own brooch by cutting the desired shape from PVC (<http://bit.ly/1GdB106>); attach a pin and embellish with rhinestones

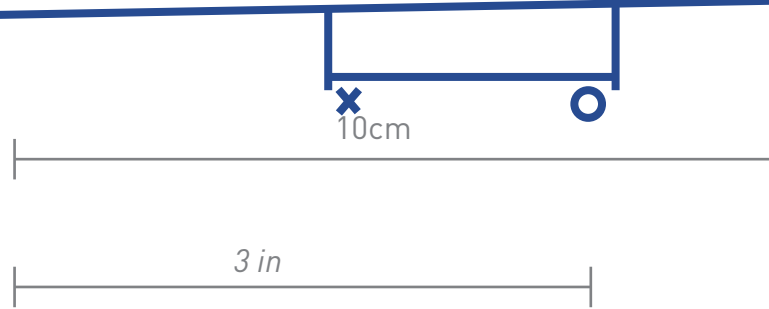




PATTERN - OVERVIEW

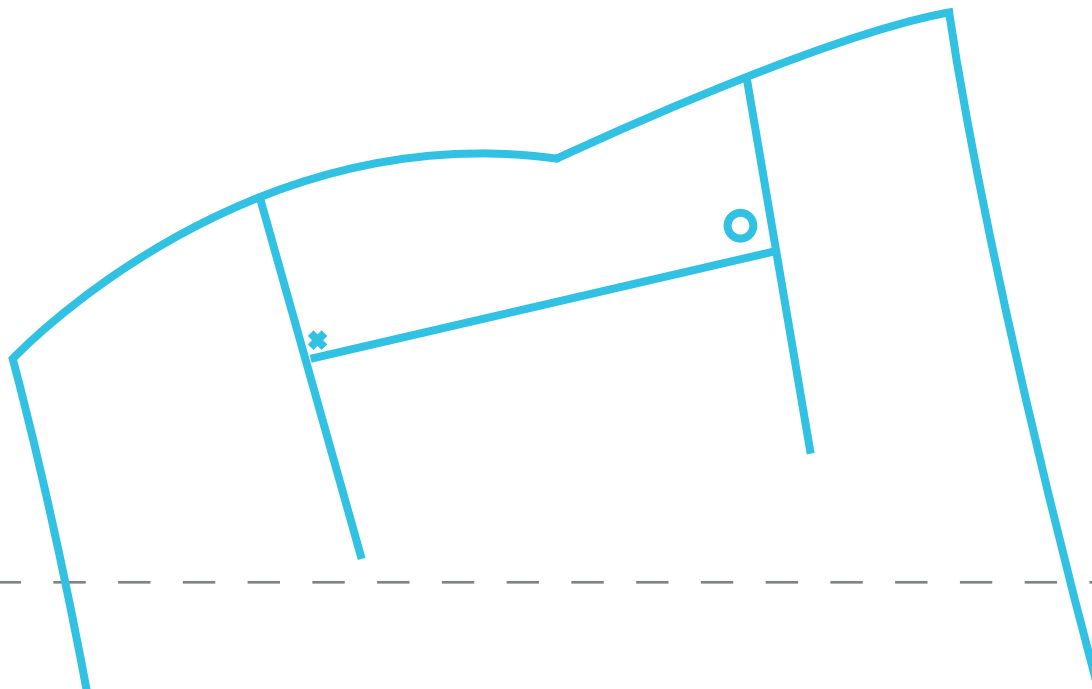


back panel (1x to fold)

front panel (1x to fold)



-  Rückenteil 1x im Stoffbruch // *back panel 1x to fold*
-  Vorderteil 1x im Stoffbruch // *front panel 1x to fold*



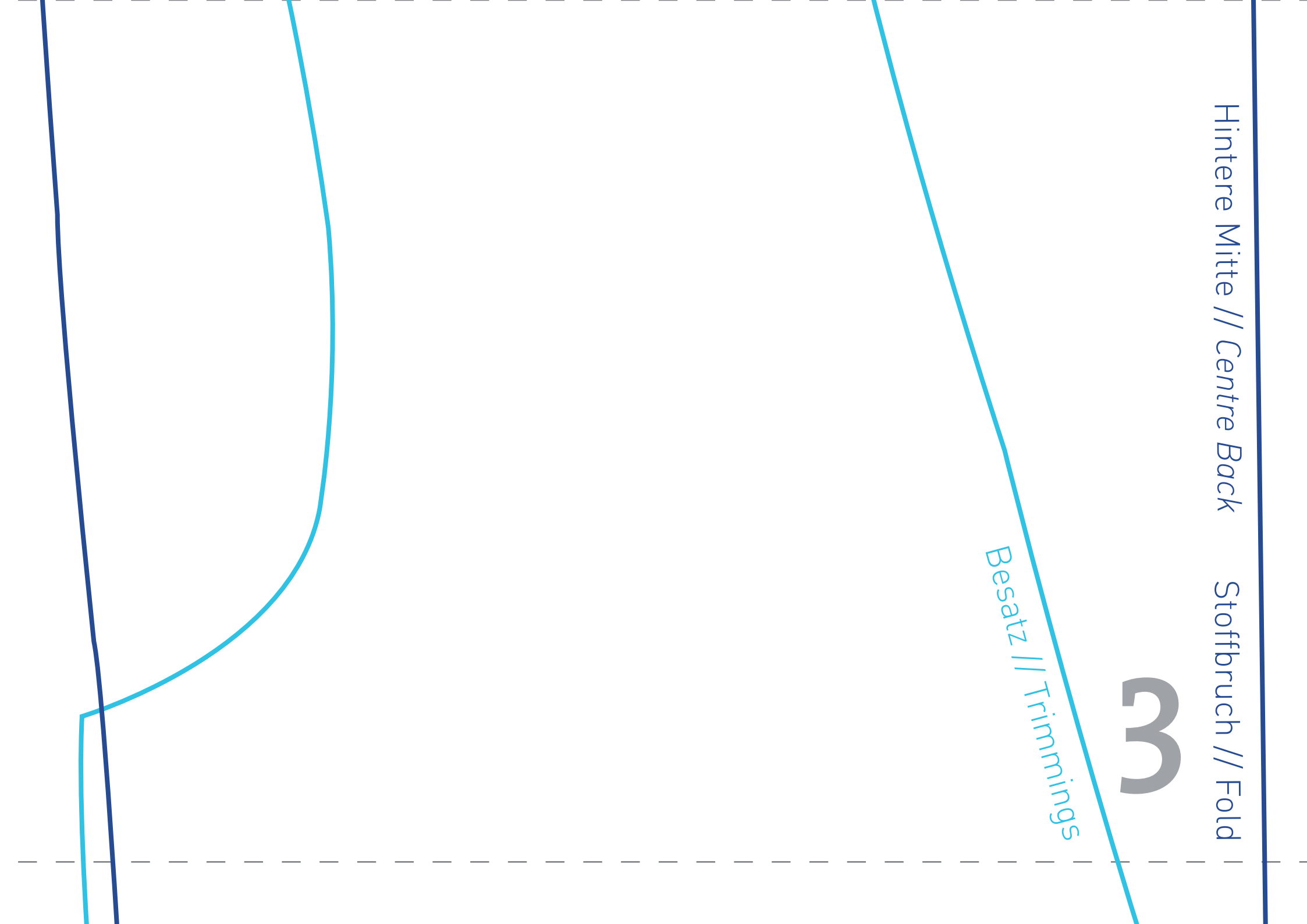
1

Hintere Mitte // Centre Back

Stoffbruch // Fold

3

Besatz // Trimmings



Vordere Mitte // *Front Back* Stoffbrun

5



